

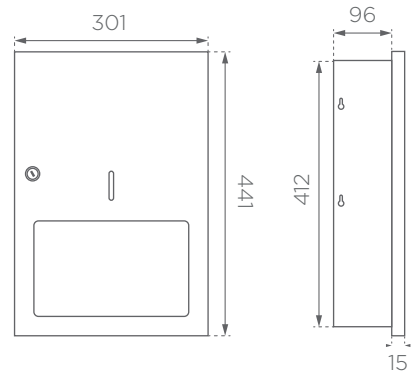
RPD2

RECESS PAPER DISPENSER



KEY FEATURES

Mounting	Recessed
Construction	Wash basin Area
Finish	M Fold / Z Fold
Paper Dispenser Capacity	450 - 600 Tissues
Warranty:	1 Year



All measurements are in mm.
Visit www.euronics.co.in for a full range of EURONICS inspire products.

