

EDC3S

STAINLESS STEEL

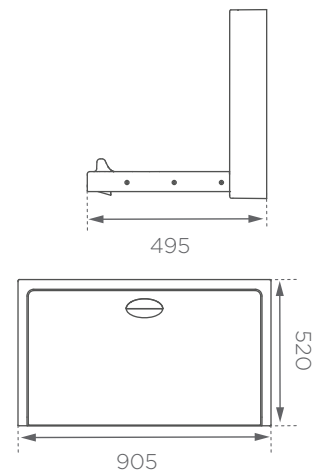
BABY DIAPER CHANGING STATION



KEY FEATURES

*Equipped with Safety Belt to secure baby when changing diapers

Material	Stainless Steel #304, Satin Finish
Unit Dimensions	W-905 mm x H-520 mm
Depth (closed)	104 mm
Extension (open)	495 mm
Maximum Load	25 Kgs



All measurements are in mm.
Visit www.euronics.co.in for a full range of EURONICS inspire products.

